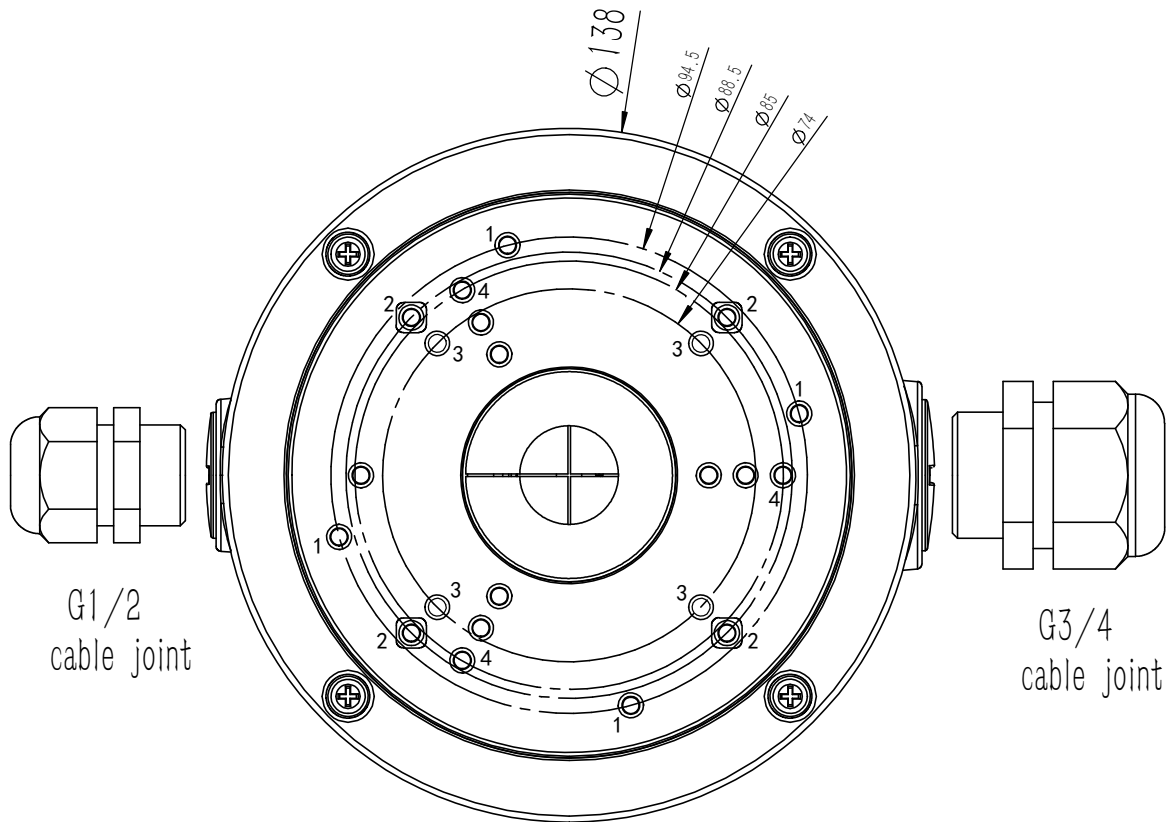
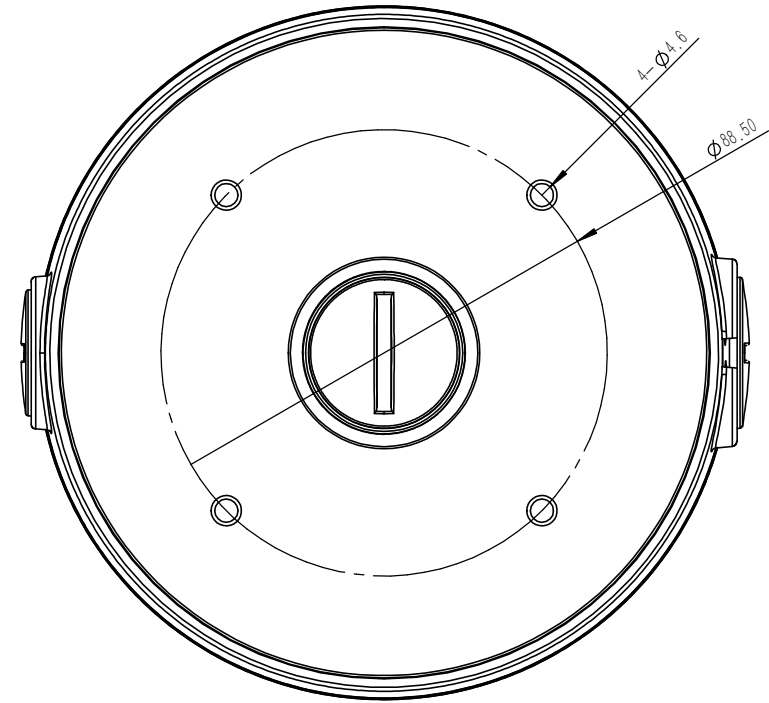
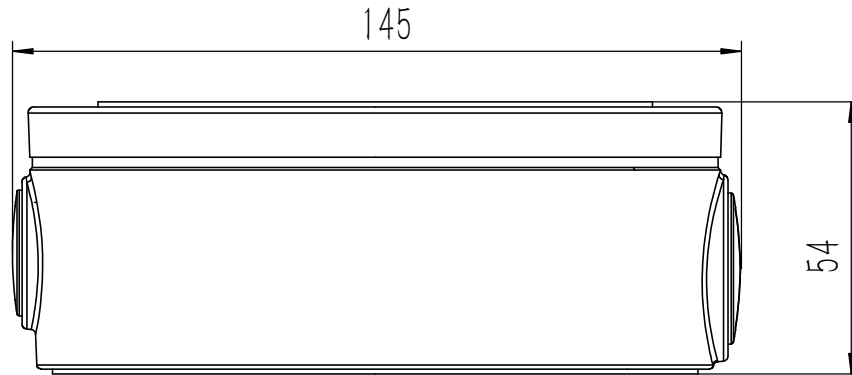


B320



Hole 1 for LIRDC\LIRDNT\LIRDQ

Hole 2 for LIG60\LIG90\LBD40\LBD90\LBR60\
LBR90\LIZM60\LIZM90\LBK60\LBG60

Brackets for series above could be moulded
in March, 2017.

Hole 3 for LBQ40\LBV40\LBV90\LBP60\LBP90
LBW30\LBW60\LBW90

Hole 4 for LDHC20