

Wireless Network Camera

User's Manual

V1.0.0

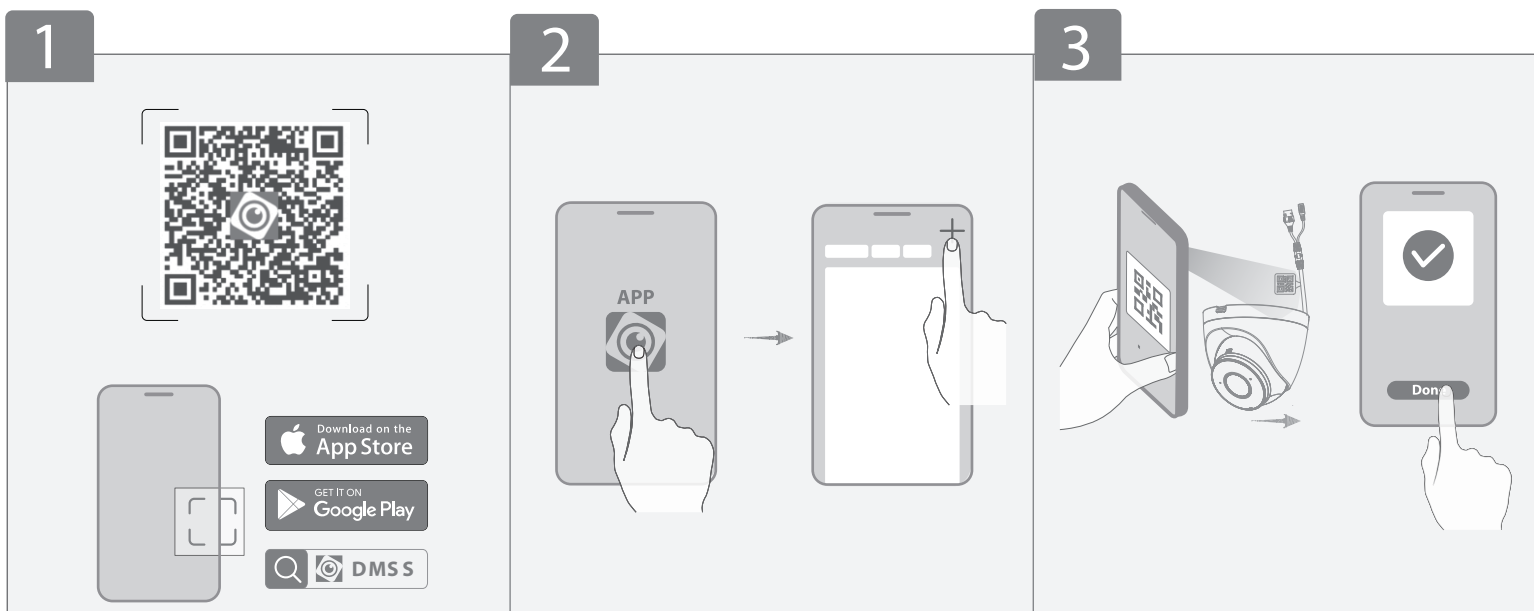
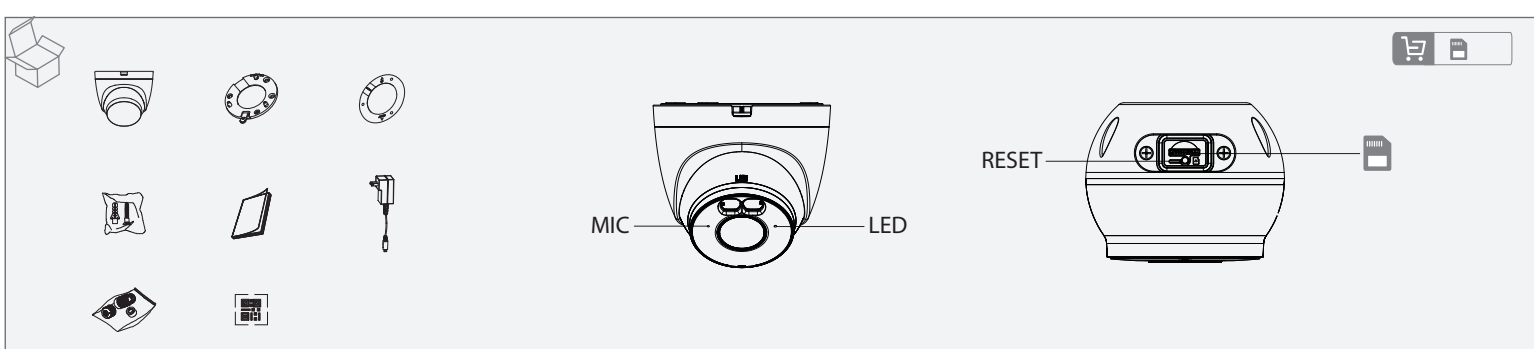
Important Safeguards and Warnings

Operation Requirements

- Use the standard power adapter according to the device label. We will assume no responsibility for any problems caused by the use of a nonstandard power adapter.
- Do not aim the lens at intense light sources, including sunlight and incandescent light to avoid the lens becoming damaged.
- Transport, use and store the device under allowed humidity and temperature conditions.
- Do not place the device in a humid, dusty, extremely hot or cold site that has strong electromagnetic radiation or unstable illumination.
- Prevent liquid from flowing into the device to avoid damage to its internal components.
- Avoid heavy stress, violent vibration, and immersion during transportation, store and installation.

Maintenance Requirements

- Do not disassemble the device without professional instruction.
- The dome cover is an optical component. Do not directly touch the photosensitive CMOS. Use an air blower to clean the dust or dirt on the lens.



1 Power on the Camera

Connect the camera to power.

2 Operate with DMSS App

Scan the QR code on part 1, or search DMSS in the app store to download the DMSS app. Create an account and log in.

3 Set up the Camera

Scan the QR code on the camera, and then follow the on-screen instructions to complete the setup (part 2&3).

4 Install the Camera

Install the camera according to your actual needs, and then adjust the lens angle. Make sure that the mounting surface is strong enough to hold at least 3 times the weight of the camera (part 4&5).

LED Status

Device Status

Solid green	Working properly
Fastly flashing green	Configuring network
Slowly flashing green	Preparing network configuration
Solid red	Starting/Restarting
Slowly flashing red	Wi-Fi connection failed
Flashing red and green	Updating firmware
Off	Resetting to factory default



If you need to reset the camera, press and hold the reset button for 5 seconds.