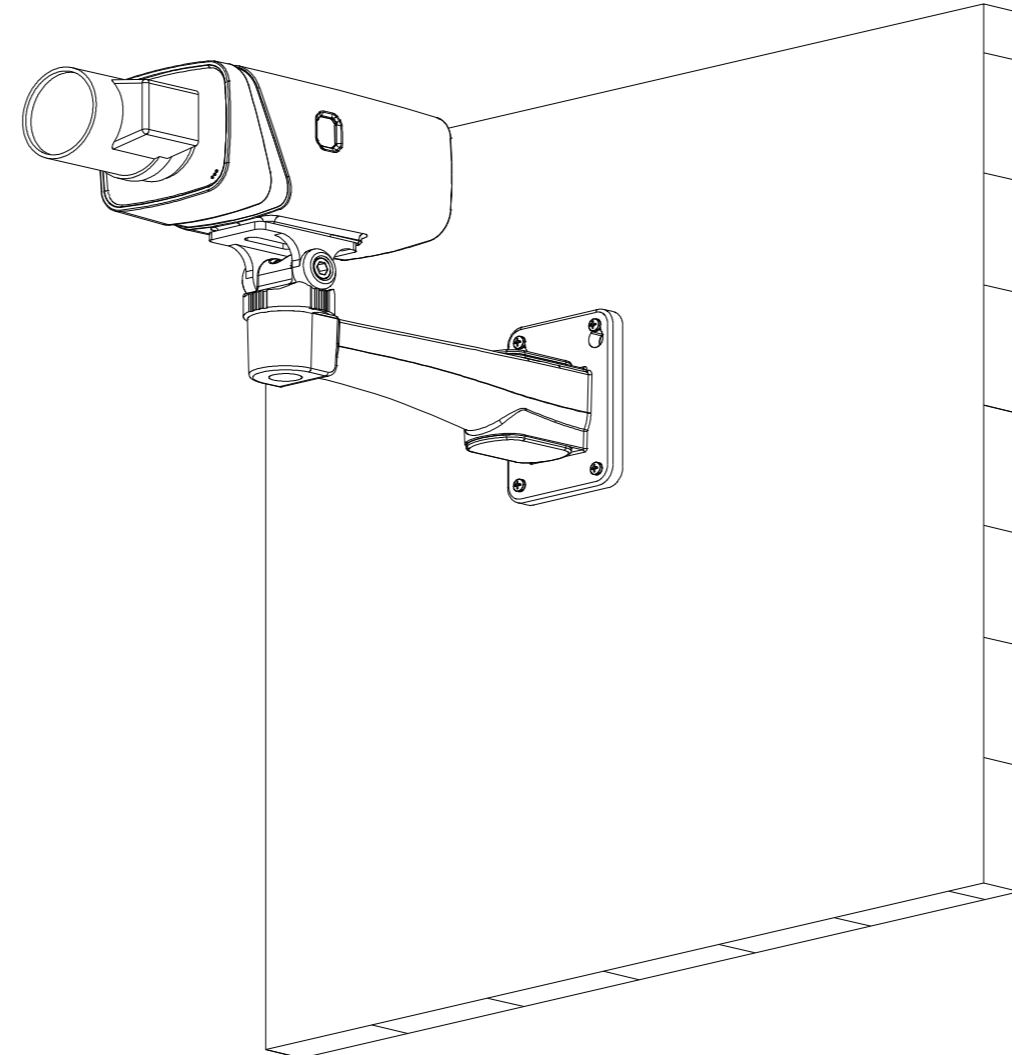
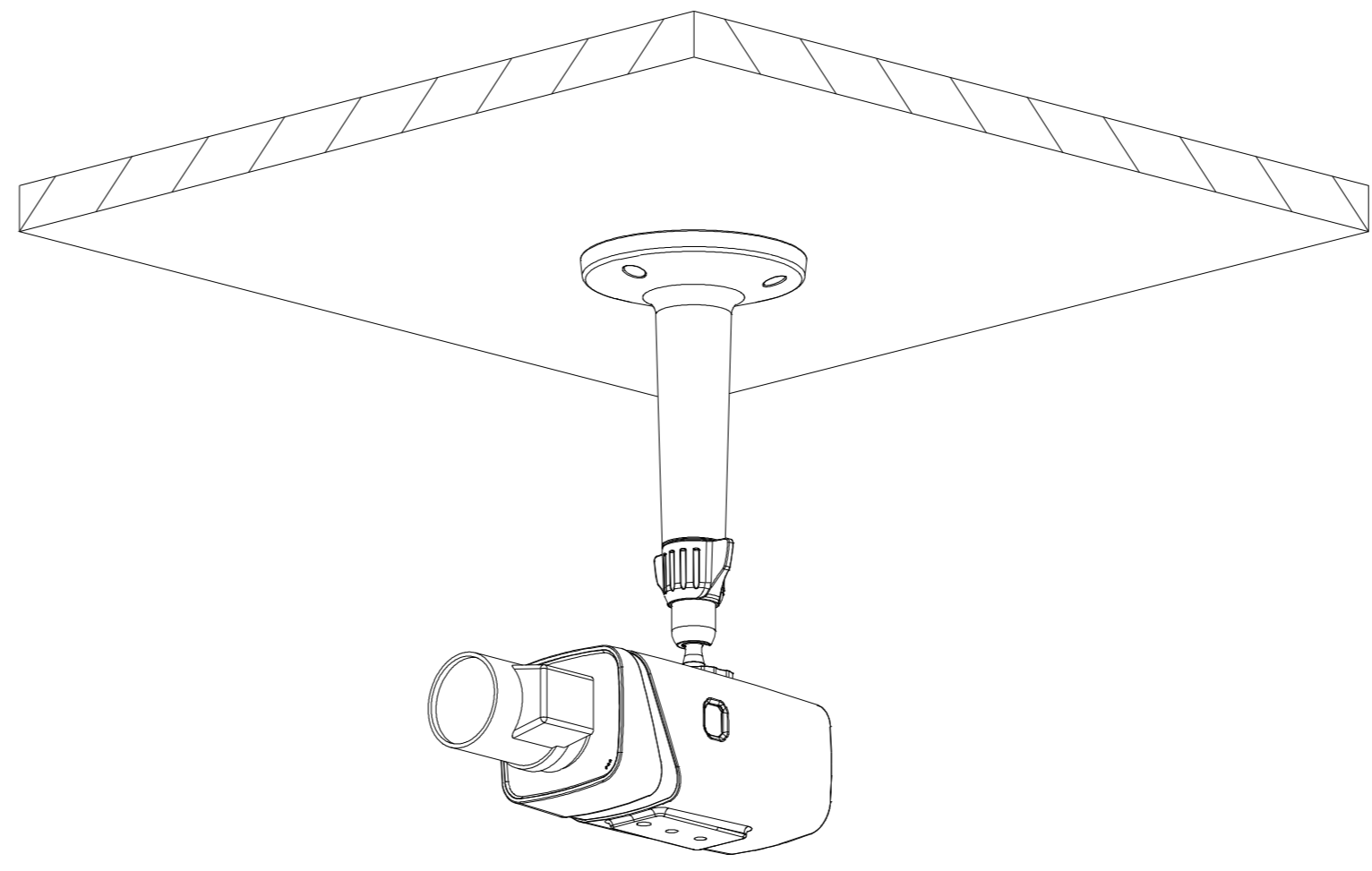


Wall Mount	Wall/Ceiling/Plane Mount
PFB121W	PFB203W + PFA152
 A technical line drawing showing a camera mounted on a wall. The camera is attached to a bracket that is secured to the wall with two screws. The camera body is angled downwards and to the right.	 A technical line drawing showing a camera mounted to a ceiling or a flat surface. The camera is suspended from the surface by a vertical rod that is attached to a circular mounting plate. The camera body is angled downwards and to the right.