

## PFA139

### Water-proof Junction Box



### Features

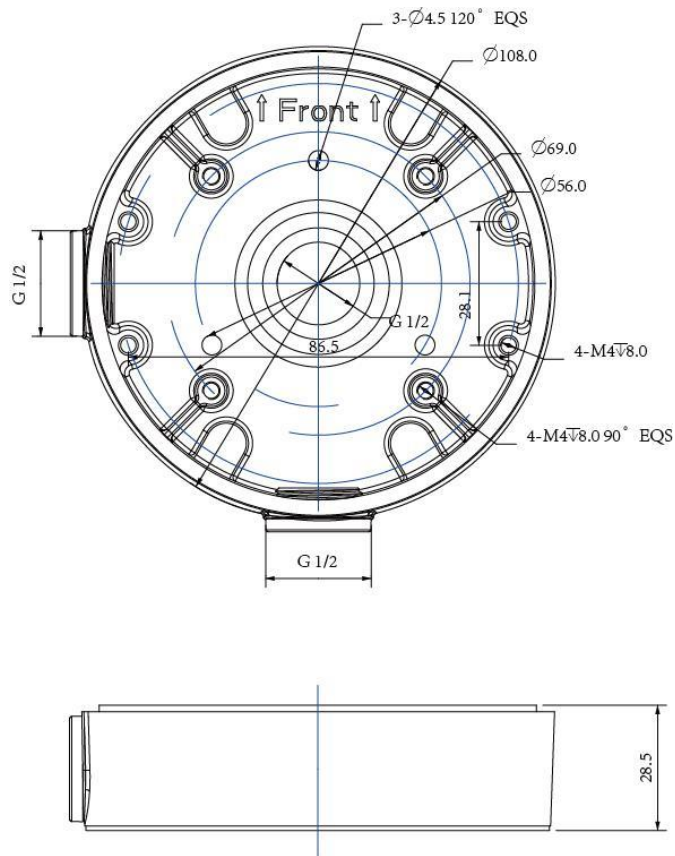
- Material: Aluminum
- Junction Box
- Neat & Integrated design

### Specifications

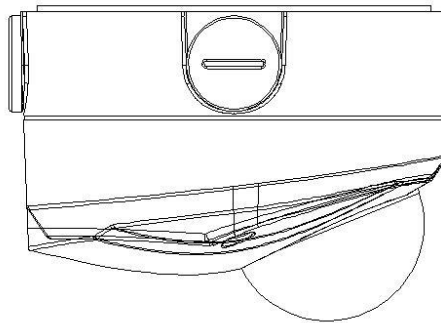
| Model                 | PFA139                           |
|-----------------------|----------------------------------|
| <b>General</b>        |                                  |
| Material              | Aluminum                         |
| Dimension             | φ108.0x28.5mm                    |
| Inch Thread           | M20(G1/2")                       |
| Operating Temperature | -40°C ~60°C                      |
| Humidity              | 0~90% RH                         |
| Load Bearing          | 1.0Kg                            |
| Weight                | 0.16Kg                           |
| Color                 | White                            |
| Applicable Model      | Please see "Accessory Selection" |

# PFA139

## Dimensions (mm)



## Application



### Dahua Technology Co., Ltd.

1199 BinAn Road, Binjiang District, Hangzhou, China

Tel: +86-571-87688883

Fax: +86-571-87688815

Email: [overseas@dahuatech.com](mailto:overseas@dahuatech.com)

[www.dahuasecurity.com](http://www.dahuasecurity.com)

\*Design and specifications are subject to change without notice.

© 2016 Dahua Technology Co., Ltd.