

Infrared dome camera



3MP HD TWDR IR BULLET IP CAMERA

Features:

- Adopt 1/2.8" sony 3.0MP progressive scan, 120fps Exmor CMOS
- Encoding system: H.265/H.264/MJPEG, dual stream output
- 3MP full real time recording
- **2.8-12mm motorized lens**, auto focus
- Support ONVIF, GB28181 optional
- Support TWDR, intelligent analysis
- Support mobilephone, WEB, client, platform management software, IE browser
- Alarm linkage snapshot and Email send
- POE power supply, DC12V

Specifications:

MODEL	Infrared dome camera
CAMERA	
Image sensor	1/2.8"SONY 3.0MP progressive scan, 120fps Exmor CMOS
Min.illumination	0Lux/F1.4 (IR ON)
IR distance	10-15M(28xΦ5 IR leds)
Electronic shutter	Auto/ Manual(1/25~1/10000), FLK
Day/ Night	ICR switch, Auto, color, B/W, EXT
Scan system	Progressive scan
Sync system	Internal
Lens	2.8- 12mm motorized lens, auto focus
Lens interface	M14
R/N ratio	≥50db (AGC OFF)
Output	PAL/NTSC adjustable
WDR	T-WDR(120dB)
Video Parameter	Mirror, 3D Noise reduction, Sharpness/Lightness adjustable
AUDIO/VIDEO COMPRESSION	
Video compression	H.265/H.264/MJPEG
Encoding features	Dual-stream; main stream : 2048X1536 @30fps, sub-stream: D1@30fps
Max. image resolution	2048X1536
Video bit rate	Constant bit rate, variable bit rate (16kbps~8000kbps)
Stream type	Complex stream/ Video stream
Audio compression	G.711A

Audio bit rate	64Kbps
NETWORK	

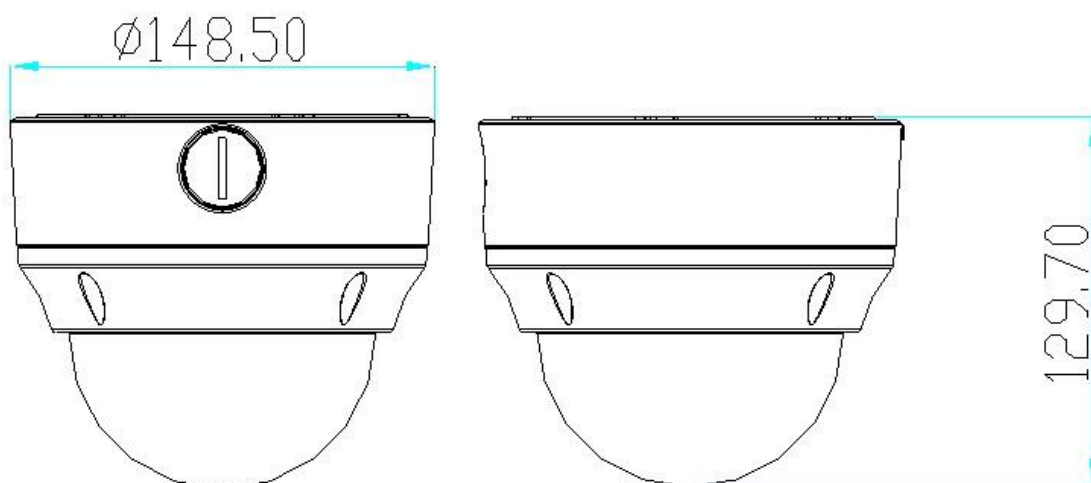
Motion detection	Can be set to a single detection zone, Multi-level sensitivity can be set
Privacy zones	4 zones
Snapshot	Support JPEG format, max. resolution based on snapshot resolution
Password protection	Support
Character display	Support (Channel, Date)
Alarm function	Video loss, network anomaly, tampering alarm, storage exception, motion detection etc intelligent alarm
Intelligent analysis	Target counting, article-inspecting, region detection, virtual cordon, intelligent motion detection
Mobile surveillance	Apple, android
Protocol	TCP/IP, UDP, HTTP, DHCP, RTSP, DDNS, NTP, PPPOE, UPNP, SMTP, ONVIF
Port protocol	ONVIF, GB28181(optional)
Other	/
INTERFACE	
Network Interface	RJ45 10M/100M adaptive
Analog video output	1CH 1.0Vp-p composite video output
Audio	1CH bi-directional talk (RCA port)
Alarm	2CH input/ 1CH output
TF card	Support, max 64G
RS485	Support, half-duplex mode
Reset	/
GENERAL	

Operating temperature /humidity	-20°C ~ 55°C/0%-90%
Protection grade	IP66
Power supply	DC12V / POE
Power consumption (max)	<8W
Dimensions(mm)	129.7(H)*148.5(L)mm

Weight/PCS(g)

1120g

Dimension:



1. Bidirectional talk input
2. Power supply
3. Network interface
4. RS485/ alarm output
5. Analog video output
6. Alarm input
7. Audio output

