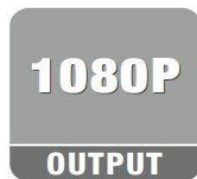


Full HD
1920x1080

1080P HD-CVI IR BULLET CAMERA

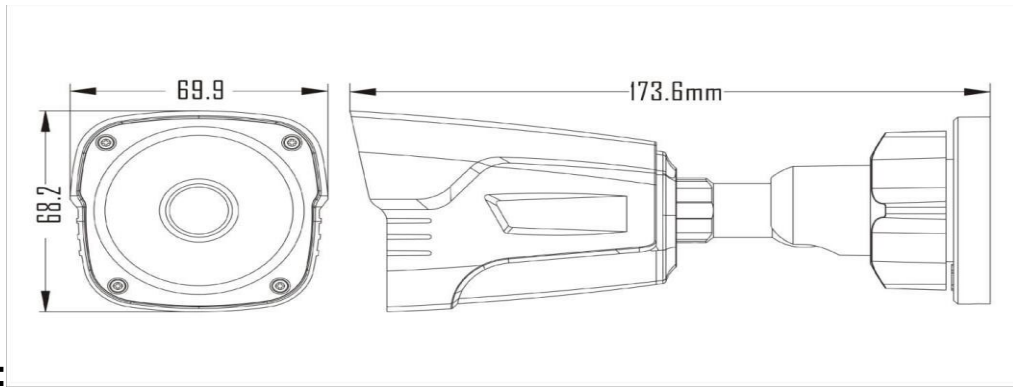


Features:

- 1/2.8" 2MP SONY Exmor CMOS
- High rate, long-distance, real-time transmission
- Defog, D-WDR, 8X digital zoom over coax
- Motion detection, privacy mask
- Smart IR control, 3.6mm lens
- Adopt new IR Array technology
- HD-CVI/CVBS 960H Dual output
- DC12V

Specifications:

Model	CVI
Image Sensor	1/2.8" 2.0MP SONY Exmor CMOS
Effective Pixels	1984(H)×1105(V)
Resolution	Digital:1920×1080p(1080p/25fps) Analog: 700TVL
S/N Ratio	≥50dB (AGC Off)
Min. Illumination	0Lux@(F2.0 , IR ON)
Scanning System	Progressive
Video Output	Digital: HD-CVI ; Analog: 1Vp-p Composite Output(75Ω/BNC)
Day&Night	EXTERN,COLOR, B&W, AUTO
White Balance	Auto
Defog	OFF/ON
DNR	2D+3D NR
WDR	OFF/LOW/MIDDLE/HIGH
Privacy Mask	ON/OFF (16 Areas)
Motion Detection	ON/OFF (4 Areas)
IR LED	2pcs Super Power IR Array leds
Lens	3.6mm
IR Range	30M
Input Voltage	DC12V±10%
Current	300mA
Power Consumption	< 4W
Weight	430g
IP Rating	IP66
Operation temperature	-10°C ~+50°C (14°F~122°F)
Operation humidity	< 85%RH (Non-condensation)



Dimension:

