

PFB110W

Wall Mount Bracket



Features

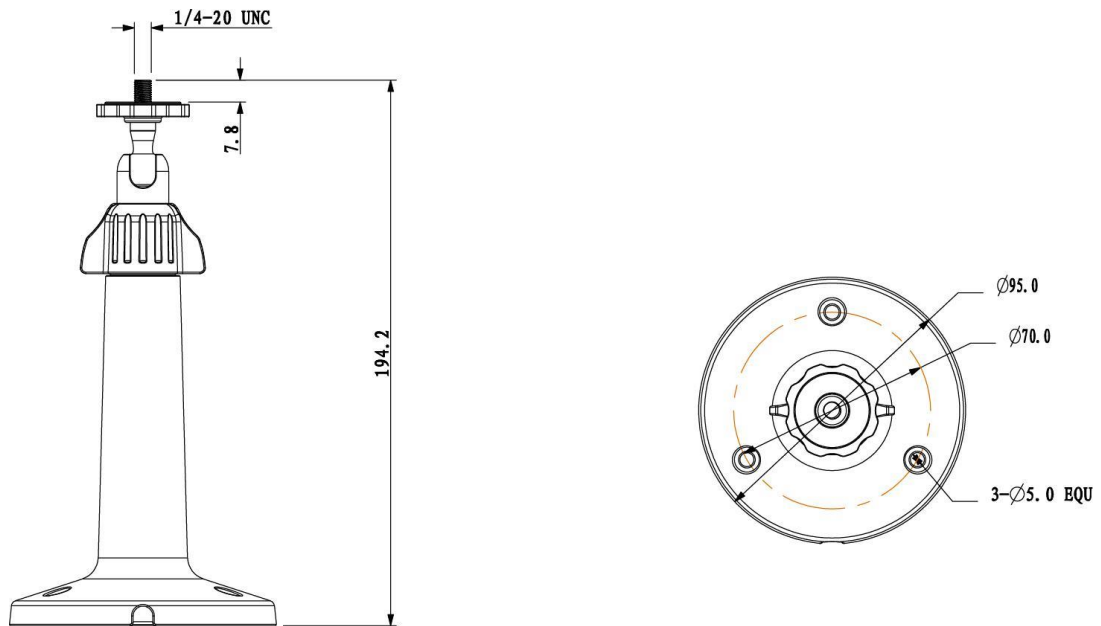
- Material: Aluminum
- Wall Mount/Plane Mount/Ceiling Mount Bracket
- Neat & Integrated design

Specifications

Model	PFB110W
General	
Material	Aluminum
Dimension (W x H x D)	φ95mmx 195mm
Pipe Thread	1/4"-20 UNC
Operating Temperature	-40°C~60°C
Humidity	0~90% RH
Load Bearing	1.0Kg
Weight	0.18Kg
Color	White
Applicable Model	Please see "Accessory Selection"

PFB110W

Dimensions (mm)



Application

