

## Gas spring desk monitor bracket



### Product Features

- Aircraft-grade aluminum arm, 360° horizontal free rotation
- Gas Spring Designed Monitor Arm, Elevation of monitor can be adjusted easily
- Built in 2 port USB 3.0 Hub, convenient for connecting keyboards, mouses, or USB flash drives
- Fits most monitors- check for mounting holes on back of monitors

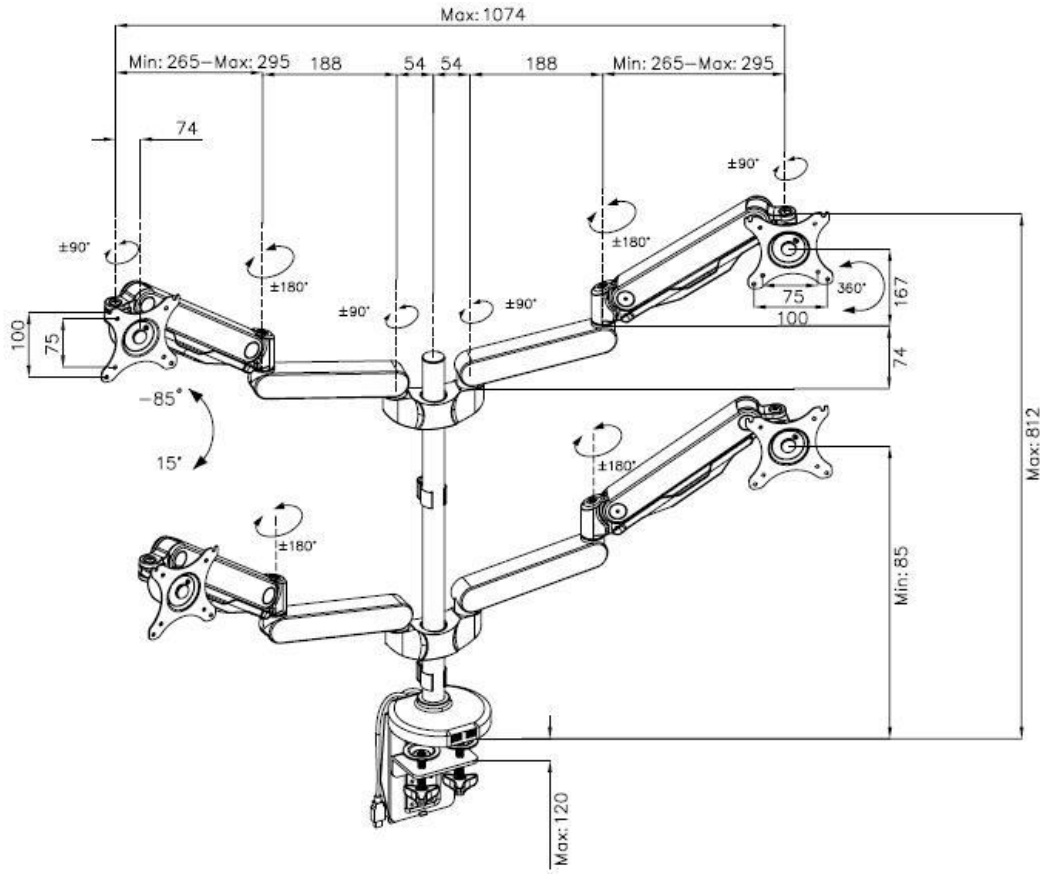
### Technical Specifications

Model	Gas spring desk monitor bracket
Fit screen size	10-27"
Max screen number	4
VESA size	100x100mm,75x75mm
Loading capacity	2-9kg
Tilt angle	-85~+15°C
Swivel angle	+/-90°C
Rotation	+/-180°C
Max height	812mm
Max extension	1074mm
Desk thinness	20-120mm
Installation type	Clamp, grommet
Material	aluminum
Color	black

Additional features	USB port
---------------------	----------

\*Design and specifications are subject to change without notice.

**Dimensions(mm)**



**Dahua Technology Co., Ltd.**

1199BinAn Road, Binjiang District, Hangzhou, China  
 Fax: +86-571-87688815 Email:overseas@dahuatech.com

Tel: +86-571-87688883  
 www.dahuasecurity.com